



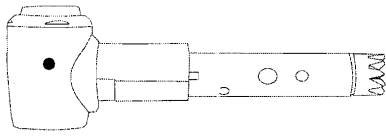
Johnson-Promident

618 Corporate Way Unit 1 Valley Cottage, NY 10989 info@johnsonpromident.com

Phone: 845-589-0210 Fax: 845-589-0211

Instructions

JP KL68 - 1:1 Push Button Latch Head for Kavo



Technical Facts

KL68 Blue Latch Head

Gear: 1:1

Maximum rpm: 40,000 min⁻¹

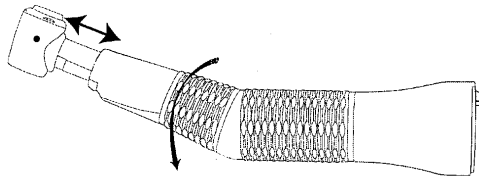
Usable Contra Angle Handpieces: Kavo INTRAmatic


Usable Burs: Latch type burs meeting ISO 1797-1 standards

Operation

Insertion and removal of head in contra angle handpiece:

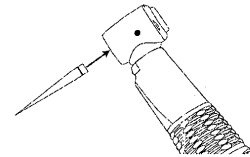
Turn the tension ring on the contra angle completely and hold it in place as shown in the picture below. Insert the head completely and turn the tension ring back into place. To remove the head, open the tension ring completely and pull the head out of the contra angle.



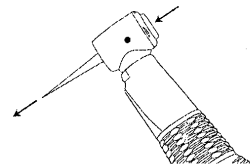
 *The handpiece must not be moving or in operation before changing the head. Before every use, check to be sure the head is securely locked into contra angle.*

Insertion and removal of bur:

Insertion: Insert the bur directly into head with small rotations until it engages into place. Do not depress push button. See picture.



Removal: The bur must first come to a standstill. Press the push button and remove the bur. See picture.





Cleaning and Care

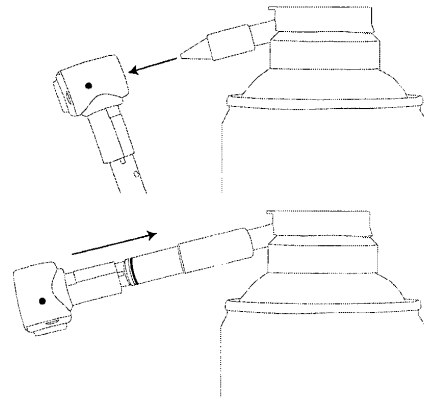
Your Johnson-Promident latch head is a high quality precision instrument. Incorrect maintenance and care can shorten the life of this product. We recommend for cleaning and lubrication original Johnson-Promident Premium Spray.

External Cleaning

Remove bur and clean the contra angle head thoroughly with a brush or gauze using warm tap water. DO NOT IMMERSSE INSTRUMENT. Wipe dry with a clean cloth.

Clean/Lubricate Internal Surface

Lubricate before every sterilization. Using a combination cleaner/lubricant like Johnson-Promident Premium Spray, screw the lubrication adaptor on the spray can. Put the adapter in the hole for the bur (see picture) and press 1-2 seconds. Using the other adapter, place on lower part of the head (see picture) and spray 1-2 seconds to lubricate gearing.



Sterilization



Place contra angle head into autoclave bag or pouch. Cycle per autoclave/chemiclave manufacturers' instructions. DO NOT EXCEED 275° F (29 psi)/ 135°C (2 bar).



CAUTION

- DON'T immerse instrument in water or use ultrasonic cleaner.
- DON'T use any type of disinfectant, chemical or soap on instrument. Use of chlorine products, aldehydes, etc. will damage handpiece and void all warranties.
- DON'T sterilize instrument with bur inserted.
- DON'T exceed 275° F (29 psi)/ 135°C (2 bar) in autoclave.
- DON'T dry heat or heat transfer sterilize.
- DON'T operate instrument without bur inserted into chuck.