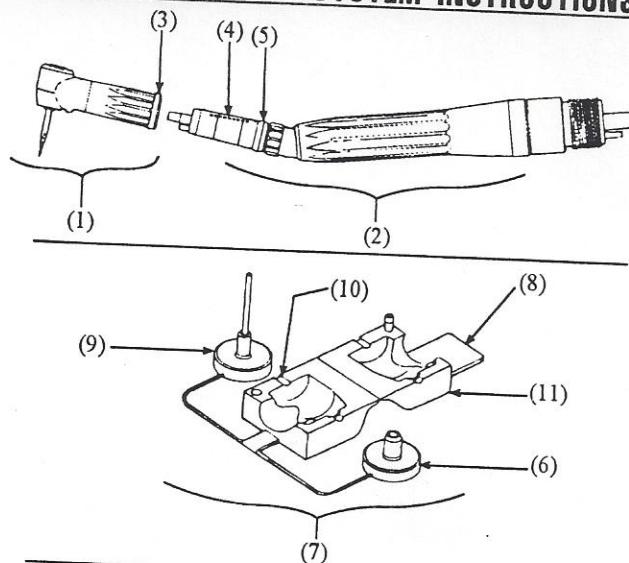


## DART DISPOSABLE SYSTEM INSTRUCTIONS



I) The dart disposable system is designed to operate at 32-34 PSI.

II) The handle can be sterilized by autoclave or chemiclave.

### III) ASSEMBLY INSTRUCTIONS:

(see diagrams above)

- A. Insert DDS head (1) onto handle (2) aligning head indicator dot (3) along handle assembly locator (4) until head snaps into place at knurled section (5).
- B. Insert bur into head & seat firmly using insertion portion (6) of bur tool (7).
- C. After bur is firmly positioned, remove bur tool (7) by lifting the large tab (8) & snapping tool off head.
- D. To change burs, reinstall bur tool by placing head into bottom half of bur tool (10) & snap flap section (11) firmly into place. Push bur out by using remover portion of bur tool (9). insert new bur following instructions in (B) & (C) above.

### IV) CAUTION:

To increase life of head, do not change bur without bur tool in place.

Do not operate handpiece without bur inserted into head.

Head must be firmly positioned on handle prior to operation.

Always initially activate away from patient.